



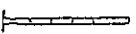

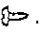





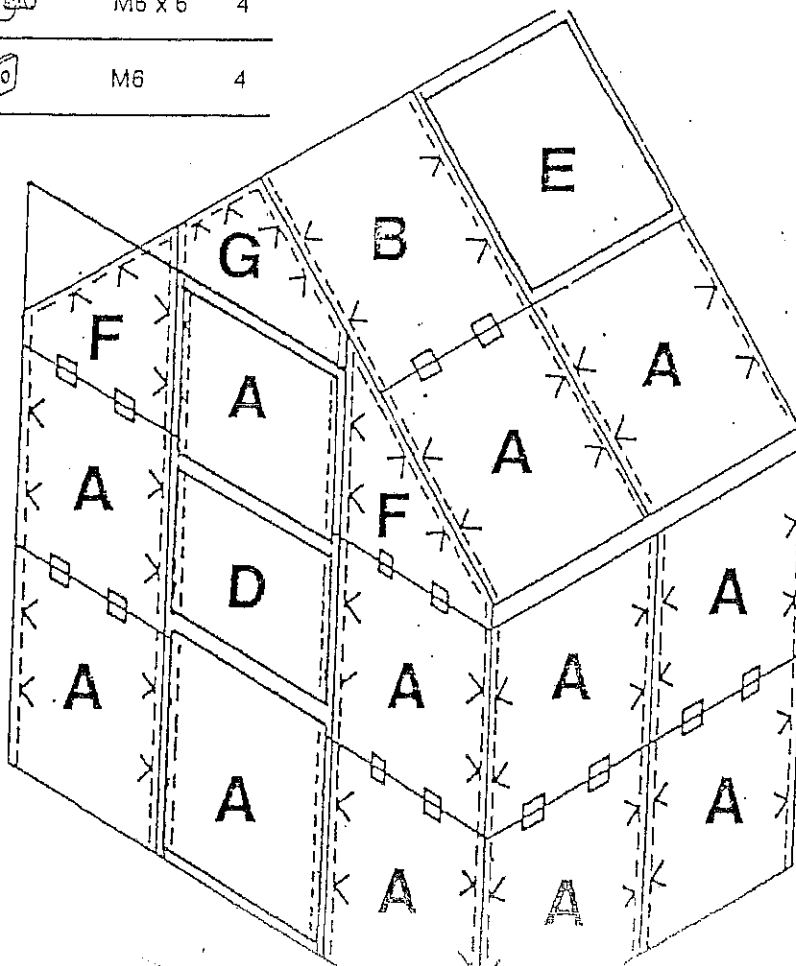
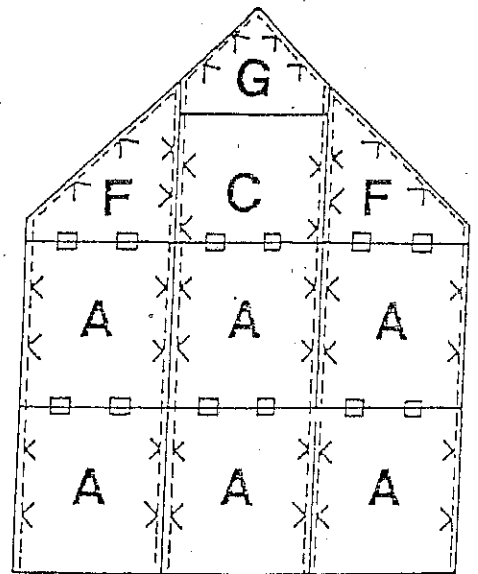
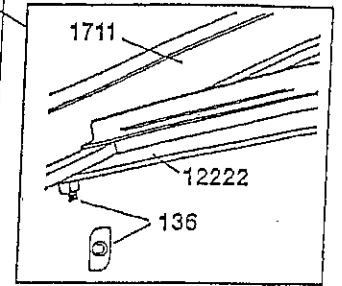
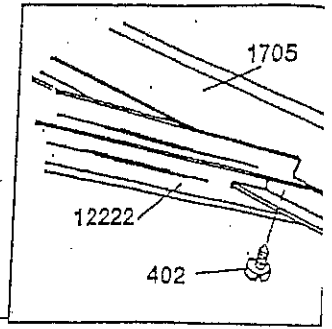
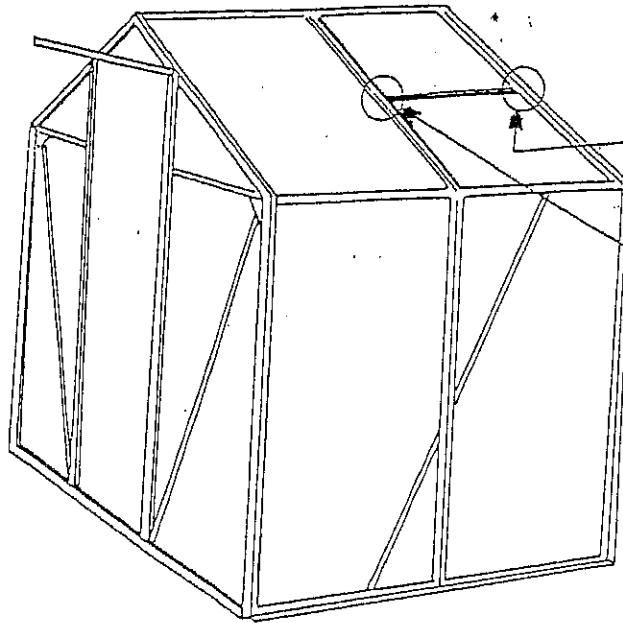


46

FOR BUILDING WITH ROOF VENT

ZUSAMMENBAU FÜR
GEWÄCHSHAUS MIT 1 DACHFENSTER

No.		mm	Qty.
12222		625	1
01738		602	1
08632		602	1
01730		522	2
08617			1
08616			2
00402		No. 6 x 6	7
00136		M6 x 10	1
00697		M6	1
08588			1
12220		M6 x 6	4
12221		M6	4



	Glass Size mm	
A	610 x 610	24
B	610 x 544	3
C	610 x 467	1
D	610 x 228.5	1
E	600 x 544	1
F	610 x 464 Bevel	4
G	610 x 233 Bevel	2

To fit the Roof Vent Sill (12222) to the Gable End Bar (1705) it is necessary to drill a hole, 3.2 mm in diameter, into the Gable Bar. The Hole must be positioned at 590mm from the square cut end (Gutter End) of the bar and 8mm from the edge.

